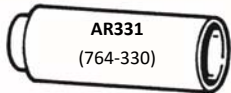


# REFERENCE CARD: RHEN602 SERIES CONSUMABLES & SUPPLIES

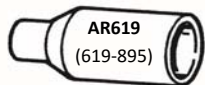


You can now place your order online — visit us at [WWW.ALPHARESOURCES.COM](http://WWW.ALPHARESOURCES.COM)  
Download certs, MSDS, obtain pricing, stock status, find new products, cross references, and much more

## GRAPHITE CRUCIBLES, ELECTRODE INSERTS AND COLLARS



AR331  
(764-330)



AR619  
(619-895)



Electrode Collar **AR690** (774-690)

Electrode Insert for AR619 Crucible **AR6198** (619-896)

Electrode Insert for AR331 **AR1180** (611-351-180)

Electrode Insert for AR331 W/automation **AR1183** (611-351-183)

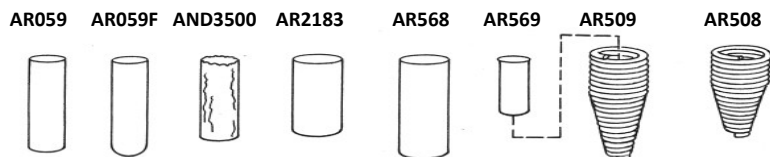
## CATALYST AND REAGENTS

- (501-171-HAZ) AR171 Anhydron 1 lb bottle
- (502-189) AR189 Copper sticks 100g ampoule
- (502-304) AR2304 Copper sticks 100g bottle
- (502-304-500) AR2304-500 Copper sticks 500g bottle
- (501-081) AR081 Glass wool 1lb box
- (502-174-HAZ) AR2174 Alphasolve II 500g bottle 20-30 mesh
- (502-176-HAZ) AR2176 Alphasolve II 500g bottle 8-20 mesh
- (761-747-HAZ) AR611 Schutze Reagent 100g

## QUARTZ AND GLASS TUBES

- AR7716 (617-716) Glass tube
- AR1142 (611-351-142) Quartz Tube
- AR9412 (789-412) Quartz Tube
- AR7548 (617-548) Glass tube
- AR8809 (618-809) Glass Tube

## NICKEL BASKETS AND



CAT. NO	LECO®	TYPE	METAL	DIAM.	HEIGHT	WEIGHT	#
AR059	(501-059)	Capsule	SN	5.0MM	18.0MM	160MG	100
AR059F		Capsule, flat bottom	SN	5.0MM	18.0MM	160MG	100
AND3500		Pressed capsule	NI	5.0MM	12.5MM	65MG	100
AR508	(763-065)	Basket (small)	NI	7.0MM	12.0MM	1.0G	100
AR509	(763-029)	Basket (large)	NI	7.0MM	17.0MM	1.5G	100
AR568	(502-820/822)	Smooth capsule	NI	6.5-7.0MM	12-14.5MM	500MG	100
AR569		Smooth capsule	NI	4.5MM	9.7MM	270MG	100
AR2183	(502-183)	Smooth capsule	NI	6.5MM	10.0MM	467MG	100

## BRUSHES AND HANDLES



Electrode brush  
(625-711-186) AR3302  
Handle only  
(782-942) AR938H



Trim step brush  
(782-877) AR877  
Handle only  
(782-918) AR877H

## FUSION SUPPLIES

- (501-598) AR598 Etched nibbled nickel 100g bottle
- (501-073) AR073 Graphite powder 100g bottle
- (502-040) AR2166 Large Tin Capsules 100/pk
- (502-344) AR2344 1g UHP nickel basket 100/bottle
- (502-345) AR2345 1.5g UHP nickel basket 100/bottle
- (761-739) AR639 Tin Flux 1/lb Bottle
- (501-059) AR059 Small Tin Capsule 100/bottle

## ORINGS

- AR803 (602-803) ORING
- AR432 (774-425) ORING
- AR5976 (765-976) ORING
- AR520 (772-520) ORING
- AR440 (617-440) ORING
- AR8114 (778-114) ORING
- AR7083 (617-083) ORING
- AR002 (156-002) ORING
- AR677 (775-677) ORING
- AR684 (601-684) ORING

Alpha Resources, Inc. Phone: 800-833-3083  
PO 199, 3090 Johnson Rd Fax: 269-465-3629  
Stevensville, MI. 49127 email:sales@alpharesources.com

[WWW.ALPHARESOURCES.COM](http://WWW.ALPHARESOURCES.COM)

# REFERENCE CARD: RHEN602 CONSUMABLES & SUPPLIES



You can now place your order online — visit us at [WWW.ALPHARESOURCES.COM](http://WWW.ALPHARESOURCES.COM)  
Download certs, MSDS, obtain pricing, stock status, find new products, cross references,  
and much more

## TITANIUM PINS FOR HYDROGEN

PART #	SIZE	HYDROGEN	CARBON
AR585	0.25G	0.0063	0.007
AR586	0.25G	0.0018	0.019
AR587	0.25G	0.0111	0.008
AR588	0.25G	0.0137	0.008
AR589	0.25G	0.0192	0.012

## STEEL PINS FOR HYDROGEN

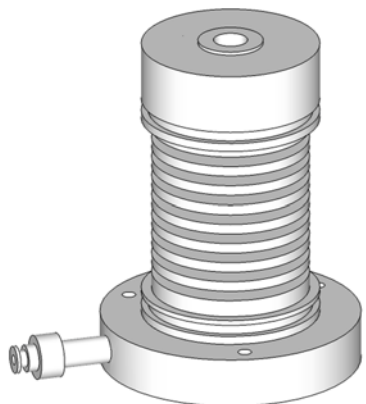
PART #	SIZE	HYDROGEN
AR 546	1g	1.1 PPM
AR 555	1g	3.4 PPM
AR 556	1g	5.0 PPM
AR 558	1g	7.3 PPM

## ZIRCONIUM PINS FOR HYDROGEN, NITROGEN, OXYGEN

PART #	SIZE	OXYGEN	NITROGEN	HYDROGEN
AR 640	0.1g	1405 PPM	50 PPM	14 PPM

## OXYGEN IN COPPER PINS

PART #	SIZE	OXYGEN	SULFUR
AR 147	1g	10 PPM	11 PPM
AR 148	1g	489 PPM	6 PPM
AR 149	1g	323 PPM	11 PPM



### AR3930 UPPER ELECTRODE REPAIR

**\*\*Save hundreds by having Alpha REPAIR your old upper electrode\*\* (620-986, 619-926)**



## CERTIFICATE OF ACCREDITATION

ANSI-ASQ National Accreditation Board/AClass  
500 Montgomery Street, Suite 625, Alexandria, VA 22314, 877-344-3044

This is to certify that

**Alpha Resources, Inc.**  
3090 Johnson Road  
Stevensville, MI 49127

has been assessed by AClass  
and meets the requirements of international standard

### ISO/IEC 17025:2005

while demonstrating technical competence in the field(s) of

### CALIBRATION

Refer to the accompanying Scope(s) of Accreditation for information regarding the types of calibrations to which this accreditation applies.

AT-1209

Certificate Number

*Keith Greenway*

AClass Approval

Certificate Valid 12/09/2011-01/04/2014  
Version No. 004 Issued: 02/16/2012



This laboratory is accredited in accordance with the recognized International Standard ISO/IEC 17025:2005. This accreditation demonstrates technical competence for a defined scope and the operation of a laboratory quality management system (refer to joint ISO-ILAC-IAP Communiqué dated January 2009).

## TITANIUM PINS FOR HYDROGEN, NITROGEN AND OXYGEN

PART #	SIZE	OXYGEN	NITROGEN	HYDROGEN
AR 637	0.1g	509 PPM	101 PPM	12 PPM
AR 641	0.1g	0.1910%	0.0354%	0.0039%
AR 642	0.1g	0.114%	0.0052%	0.0050%
AR 647	0.1g	0.175%	0.0038%	0.0090%
AR 648	0.1g	0.158%	0.015%	0.0161%
AR 649	0.1g	0.161%	0.0153%	0.0200%
AR 650	0.1g	0.1555%	0.0101%	0.0061%
AR 651	0.1g	1320 PPM	49 PPM	28 PPM

## OPERATION ACCESSORIES

- (766-053) AR766 Crucible tweezers
- (766-646) AR6646 Air filter coating
- (775-306) AR5306 Secondary filter, 10 micron
- (619-591-724) AR5933 Cooling agent
- (760-138) AR138 Sample tweezers
- (501-241) AR241 Vacuum grease
- (502-023) AR473 Utility funnel
- AR2880 (782-880) Vacuum Filter

Alpha Resources, Inc.  
PO 199, 3090 Johnson Rd  
Stevensville, MI. 49127

Phone: 800-833-3083  
Fax: 269-465-3629  
email:sales@alpharesources.com

[WWW.ALPHARESOURCES.COM](http://WWW.ALPHARESOURCES.COM)